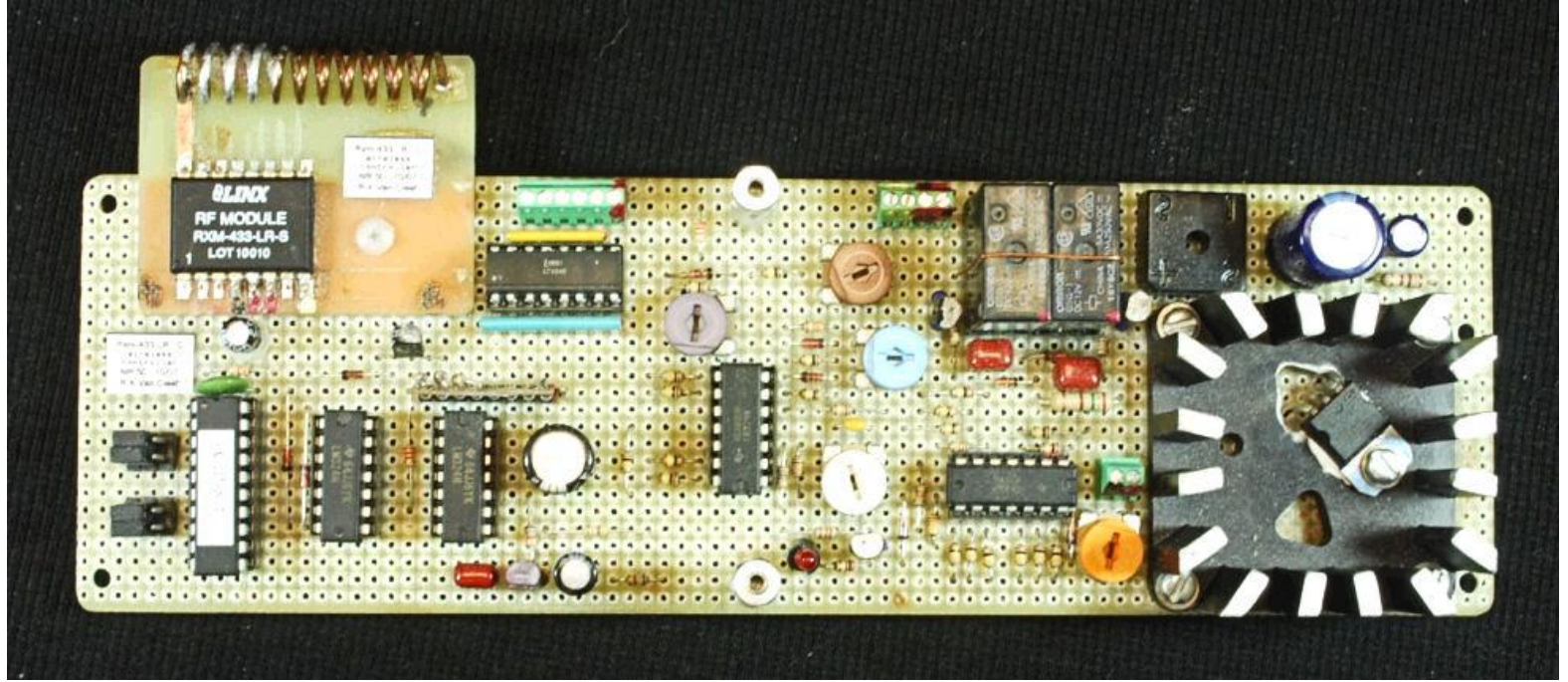


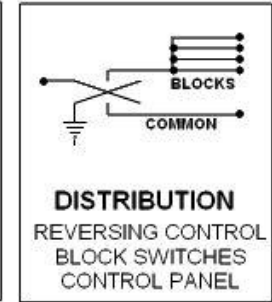
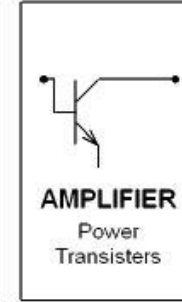
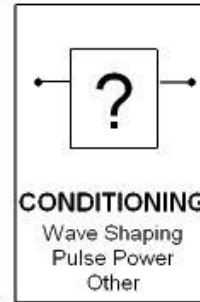
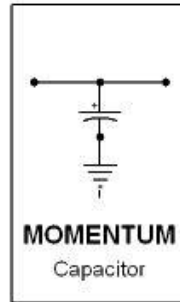
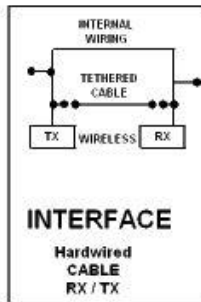
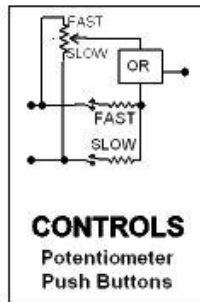
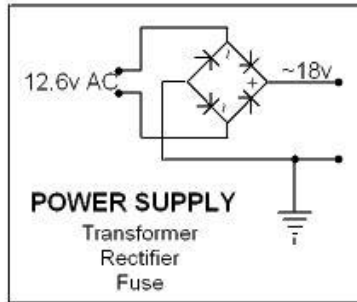
WIRELESS THROTTLE CONTROL

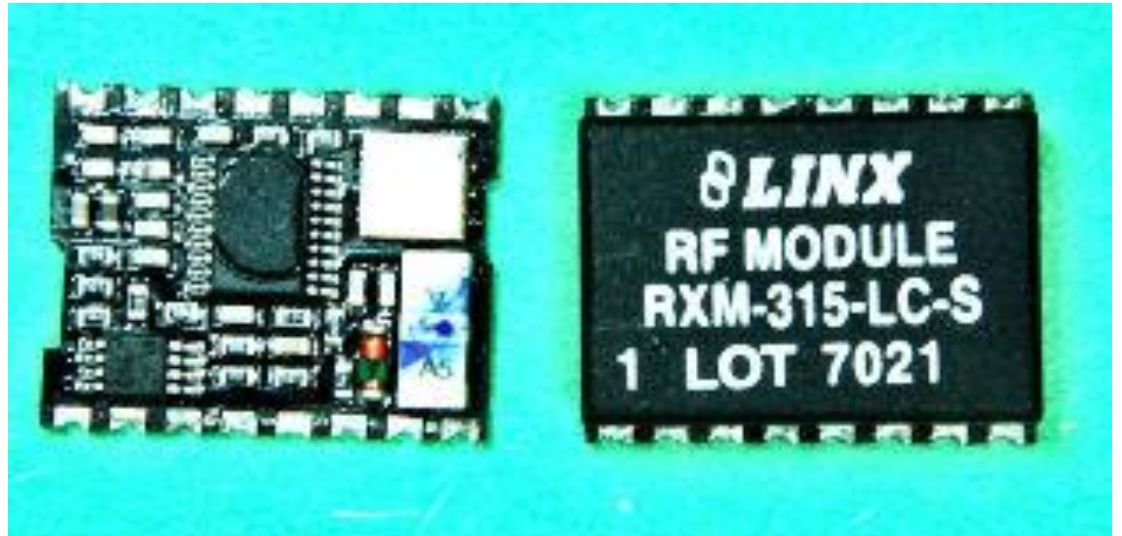


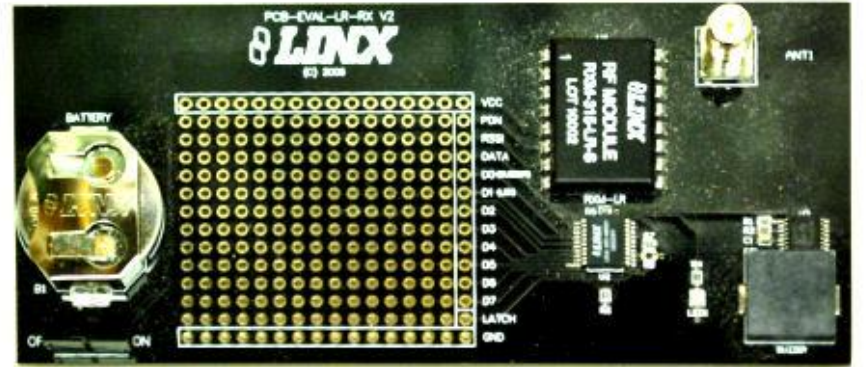
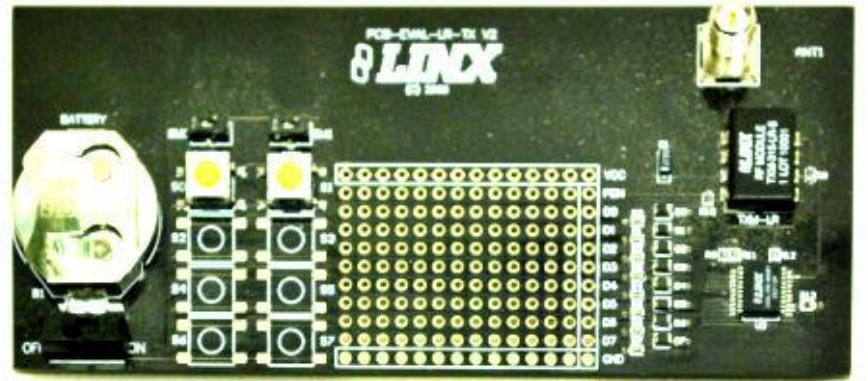
Presented by BOB VAN CLEEF
of the North River Railway



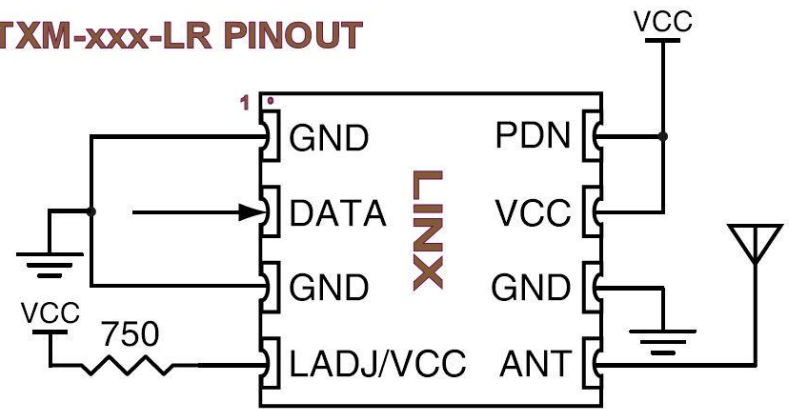
ANATOMY OF A THROTTLE

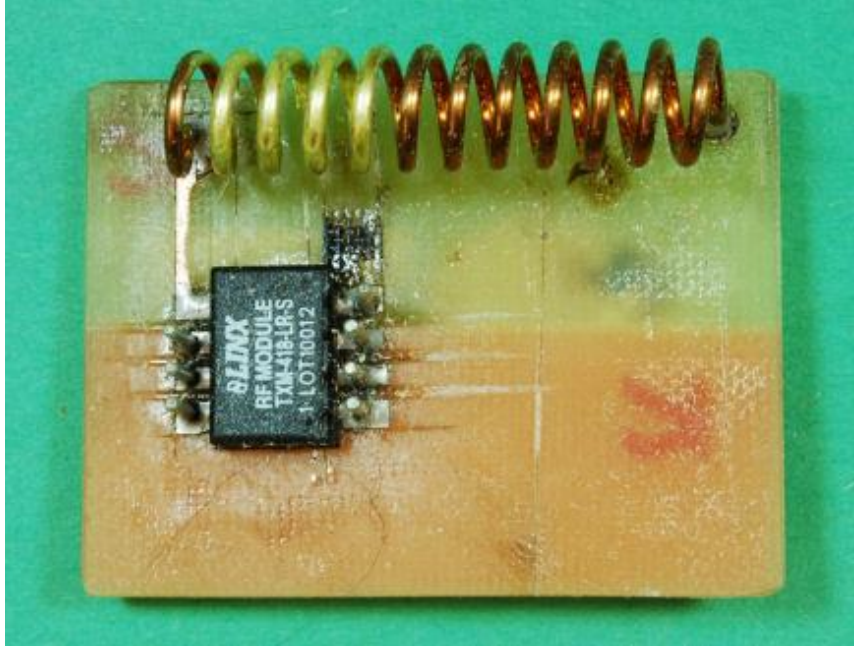


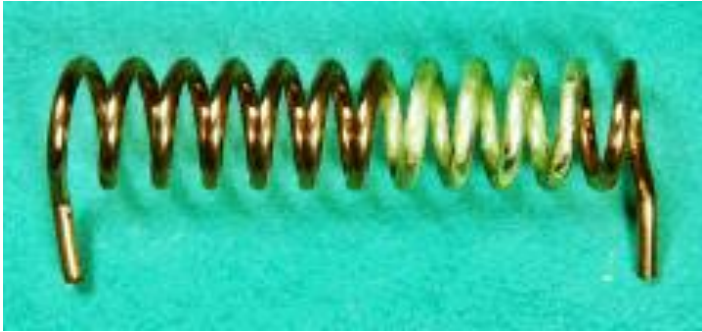


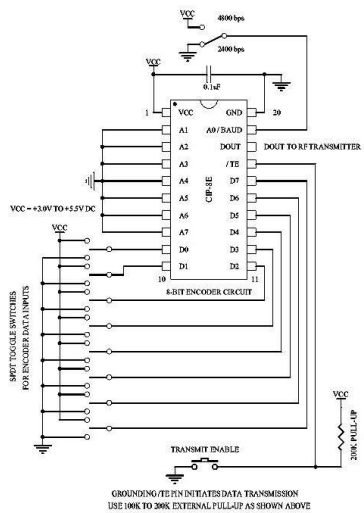


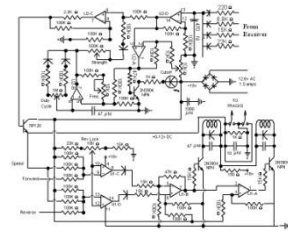
TXM-xxx-LR PINOUT

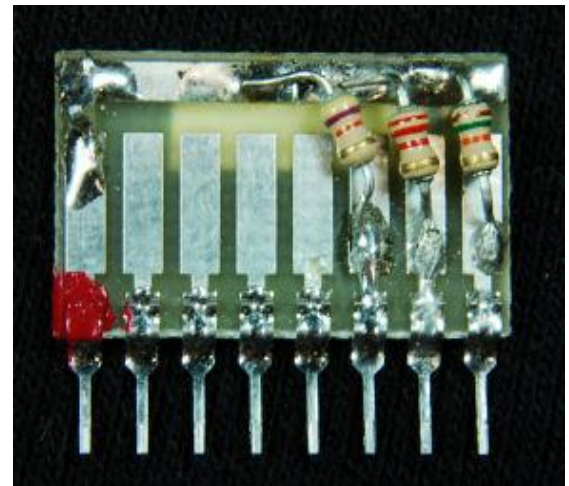














For More Information...

jj

This presentation has been brought
to you by the North River Railway

Bob Van Cleef
46 Broadway
Coventry, CT 06238
<http://www.northriverrailway.net>

THE END

